


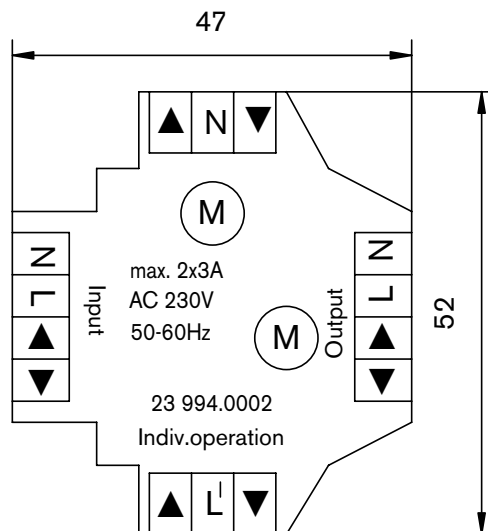
Warning!



**Important safety advices!
Observe the following instructions.**

Risk of injury due to electrocution.
The connections to the 230 V mains **must** be made by authorised specialist personnel.

- Check the system regularly for wear or damage.
- The regulations of the local energy supply company as well as the regulations for wet and damp rooms according to VDE 0100 must be followed when making the connections.
- Follow the relevant country-specific regulations.
- Only use unmodified original **elero** electrical parts.
- Keep people away from the system until it is shut down.
- When working on the system (e.g. servicing), always separate it from the mains supply.



Technical data

- Supply voltage: 230 V, ± 10%, 50–60 Hz, Neutral conductor required
 - Control voltage: 230 V, ± 10%, 50 Hz
 - Current consumption: 10 mA in relay mode
 - Breaking capacity: max. 2 x 3 A, 250 VAC, motor load
max. 2 x 690 VA, for 230 V motors only with limit switches
 - Fuse protection: max. 10 A
 - Connection: max. 2 drives
 - Ambient temperature: 0 °C to +60 °C
- Without maintained mode

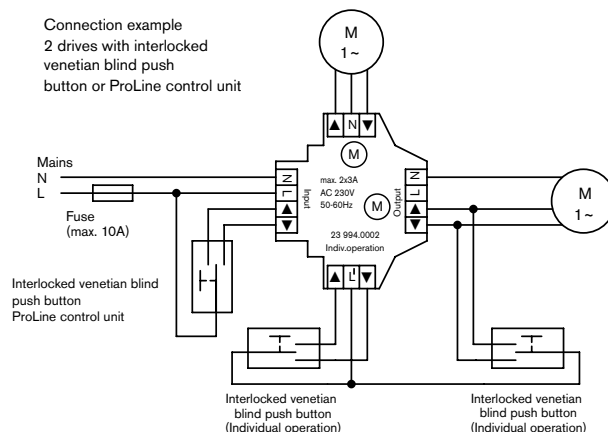
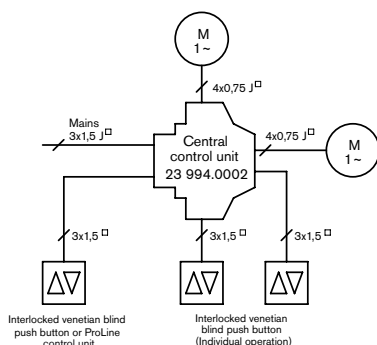
Follow the overall phase load when designing the complete system.

The number of central control units that can be switched sequentially depends on the current consumption of the drives used. 10 A should not be exceeded when doing so.

Electrical diagram

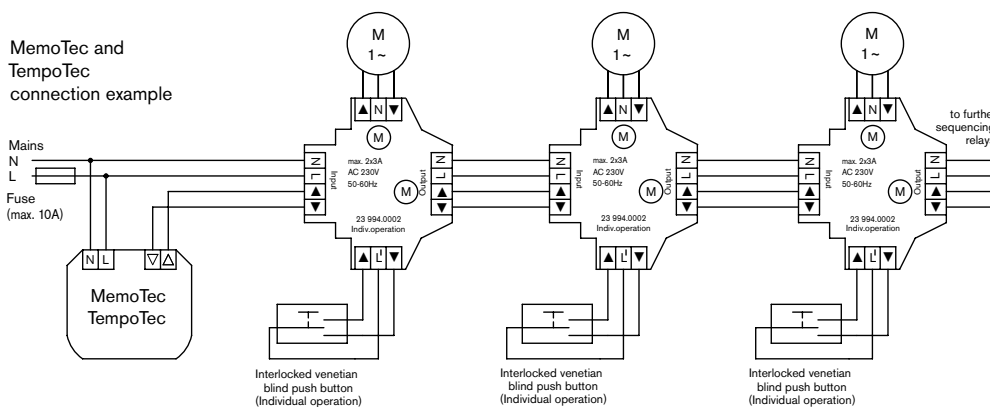
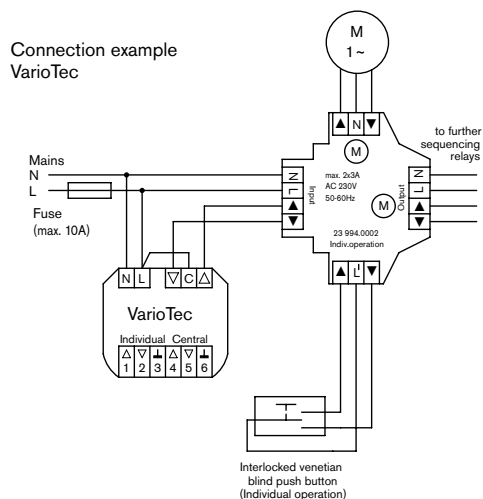
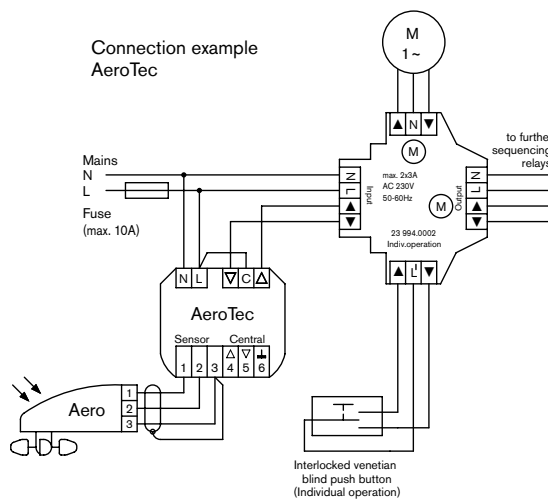
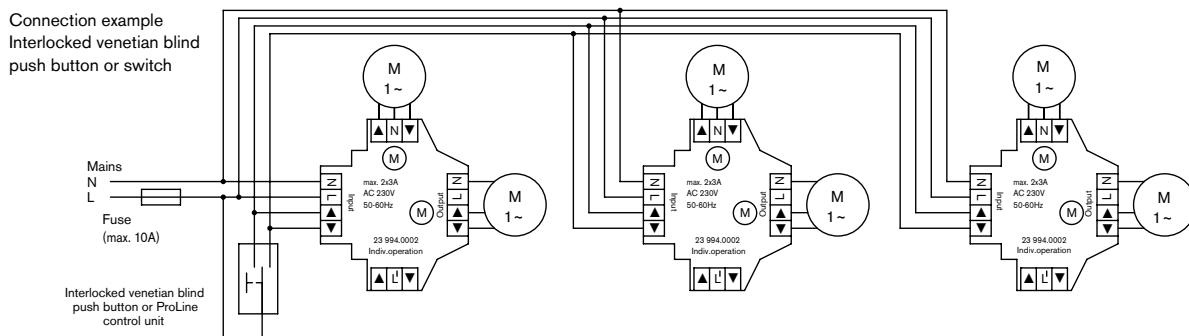
Operation of multiple drives with one control unit using an interlocked venetian blind push button or switch.. Automatic switching with ProLine control units and individual operation with interlocked venetian blind push button is possible

2 drives with a central control unit



Connection examples

Multiple drives with one central drive unit each



Note!

- **Individual operation only with interlocked venetian blind push buttons.** (Venetian blind switches cause damage to the system)
- Follow the overall phase load during project design and planning.
- The central command works with „priority“.
- Legend: N Neutral conductor
L Phase
L^I Switched phase
Up Motor up running direction
Down Motor down running direction
- The protective earth connections (PE) are not taken into account in the application examples. Each unit has a terminal which is suitable for the rigid and flexible conductor.

