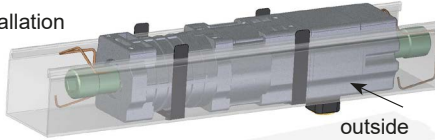


### Function / Application / Special features

Application: Electromechanical drives for venetian blinds / external venetian blinds

- Limit switch: Mechanical limit switch
- Special features:
  - JA Soft: twin drive, noiseless softbrake
  - JA dk: twin drive, electromagnetic brake
  - JA e: one-sided drive, electro magnetic drive, external capacitor
- Suitable for headpieces of more than 51 x 57 mm (height x width)
- Mechanical accessories: Venetian blind assembly kit, clamps, damper system, QuickSnap shaft couplings
- Electrical accessories: Hirschmann plug and couplings, radio receivers, radio transmitters, control units and sensors

- Illustration drive right hand installation in headpiece/ upper rail with
- 2 dampers
  - 2 QuickSnap couplings
  - 2 clamps



### Safety instructions



The general safety notes on how to use and install venetian blinds can be found in each leaflet "safety instructions" supplied with the drive. Read the installation instructions carefully. Installations must follow these instructions to ensure the product is used correctly. Images are for illustration purposes only. The images may differ from your product in minor details and is understood to provide general information.

elero GmbH continuously develops and improves all products. Therefore, the scope of delivery with respect to shape, equipment and technology may change. The information in these instructions were printed at the time of the editorial deadline. Do not modify the device! No claims can be made from data, images or information provided in these instructions.

### Mounting

Drives are supplied from the factory already set to the lower end position.

#### Right-hand side installation

(view inwards from outside building facade):

- Cable outlet and front side with printing are on the right-hand side
- Adjustment push-button orange = UP, adjustment push-button white = DOWN

#### Left-hand side installation

(view inwards from outside building facade):

- Cable outlet and front side with printing are on the left-hand side, stick the direction label 'L' on top of the printing of the front side
- Adjustment push-button orange = DOWN, adjustment push-button white = UP.

#### Mounting of the safety cut-out

1. Remove label on the bottom side of the limit switch housing.
2. During right-hand side installations, insert the safety cut-out with orange or black cap in the openings and engage in such a way that the pressure pin points towards orange adjustment push-button. During left-hand side installations, insert the safety cut-out with white cap in the openings and engage in such a way that the pressure pin points towards white adjustment push-button.
3. Check function of the safety cut out mechanically.
4. Optionally, cut-out extensions (special accessories) can be used to extend to the upper switch-off point by 10 mm to maximum 30 mm.

#### Mounting of the QuickSnap coupling

1. Apply the coupling at an angle to the drive shaft. Observe the position of the coupling and shaft. The retaining spring must glide on the upper surface.
2. Push the coupling a bit further until the spring audibly latches into the groove. At the same time, hold the drive shaft at the other end by pressing against it.
3. By pulling it by jerks check, that the coupling is securely seated.

#### Dismantling of the QuickSnap coupling

- Lift up retaining spring on the coupling with a suitable screwdriver and pull off the coupling.

#### Installation in headpiece of the venetian blind (screw less installation)

1. Mount damper at drive. Install drive into the headpiece without restraint in correct position (safety cut-out showing downwards). Impacts are not permitted on drive, shaft or coupling. Make sure the shaft is not loaded radially. Note: Choose damper according to the given axle height (see accessories).
2. Use the clamps (accessories) to secure the drive against winding in the headpiece.
3. Insert the venetian blind shaft, in correct position, and secure it against sliding out.

### Mounting JA e: external capacitor

**! NOTICE**

The distance between the outer surface of the external capacitor to the neighbouring non-metallic parts must be at least 50 mm.

### Setting the end position

Use the **elero** assembly cable to set end position.

Note: Never press both adjustment push-buttons at the same time.

#### Upper end position (right-hand side installation)

1. Move blinds upwards and press the orange adjustment push-button for at least 5 seconds until it latches in. Stop around 0.5 m before reaching the upper end position.
2. Run blinds directly to the upper end position (inching operation is possible).
3. Move blinds downwards until orange adjustment push-button unlatches. The upper end position is now set.

#### Lower end position

##### (normally already set, right-hand side installation)

1. Drive the blinds downwards and press the white adjustment push-button for around 5 s until it latches in. Stop around 0.5 m before reaching the lower end position.
2. Drive blinds directly to lower end position (itching operation is possible).
3. Travel the blinds upwards until the white adjustment push-button unlatches. The lower end position is now set.
4. Check the setting of the end positions by moving the curtain upwards and downwards without interruptions. Mechanically test the switch-off functions of the safety cut-outs.
5. Remove mounting cable. Connect the drive to the power on site.

### Electrical connections



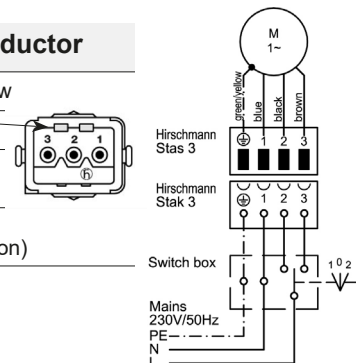
Electrical installations must be carried out by an authorised electrician in line with the applicable regulations and provisions of the trade association and following the guidelines of the DIN VDE 0100. In addition, national legal regulations of the respective country of installation must be adhered to. Electrical installations should only be carried out when mains voltage is switched off. Disconnect the supply main and protect against accidental operation.

Carry out electrical installations in line with the following procedure, taking into account the following tips:

- Do not connect drives in parallel.

### Designations of the drive conductor

PE	Protective conductor green yellow
N	① Neutral conductor / blue
L <sub>1</sub>	② Phase / black UP (right-hand side installation)
L <sub>2</sub>	③ Phase / brown DOWN (right-hand side installation)



### EU-declaration of conformity

The product meets the basic requirements and the other relevant provisions of the EU directives. The full version of the declaration of conformity can be found in [www.elero.com/downloads](http://www.elero.com/downloads).

### Manufacturing address

elero GmbH  
73278 Schlierbach  
GERMANY  
[www.elero.com](http://www.elero.com)

### Service

If problems occur despite correct handling and maintenance or if the device was damaged, please contact your contractual partner or dealer.